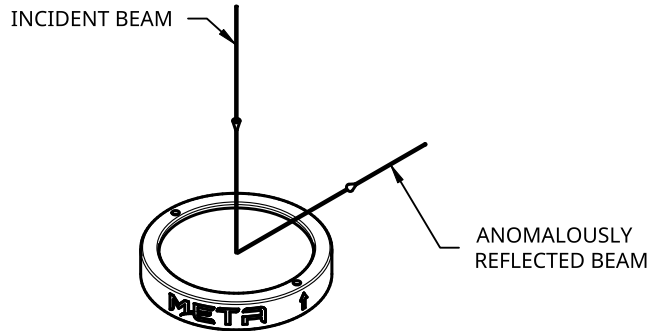


2

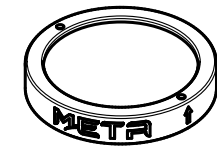
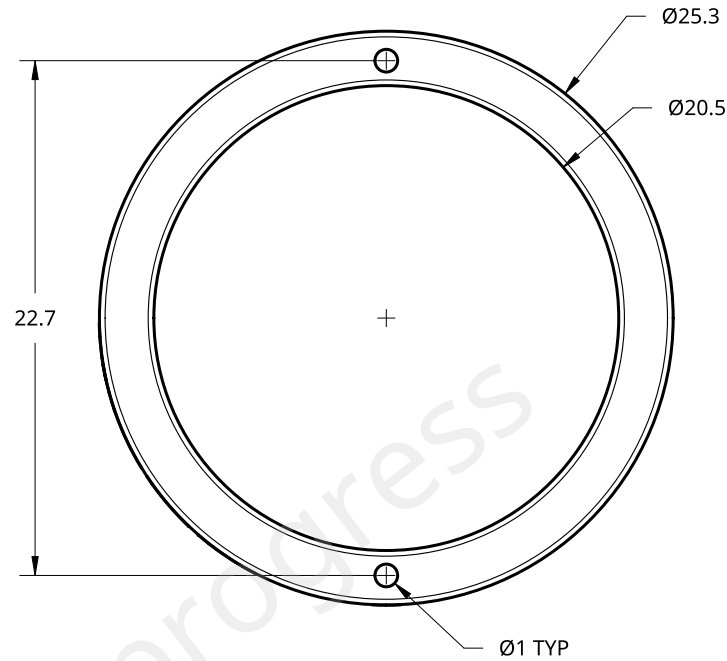
1

### REVISIONS

Rev.	Revision description	Date approved	Approver
001*	Initial release	-	-



OPTICAL FUNCTION  
SCALE 1:1



SCALE 1:1

### Slant Filter Specification

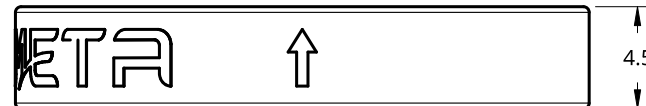
SKU	Notch Centre (nm)	Optical Density	Anomalous Reflection Angle
1000170	457	2.5+	45°
1000171	532	3+	45°
1000172	635	3+	45°

### SURFACES

SHAPE	PLANO
TYPE	SCHOTT N-BK7 GLASS
SURFACE QUALITY	60-40
COATING	BBAR, R<0.5% @425-675NM, 0° AOI
PARALLELISM	SURFACES PARALLEL TO < 3 ARCMIN

### NOTES:

- GENERAL TOLERANCE +/- 0.1MM
- MOUNTING AND RETAINING RING ARE BLACK ANODIZED ALUMINUM
- CLEAR APERTURE: 20 MM
- ANOMALOUS REFLECTION PLANE IS ALIGNED WITH ARROW TO WITHIN +/-XXXXX



FOR INFORMATION ONLY - NOT FOR MANUFACTURE

# META™

NAME		DATE	PROJECT	
DRAWN	LK	12/01/2021	TITLE	
CHECKED			SIZE	
APPROVED			A	DWG NO. DRW-00722
MATERIAL	THIRD ANGLE PROJECTION		SCALE 3:1	WEIGHT
			SHEET	1 of 1

2

1