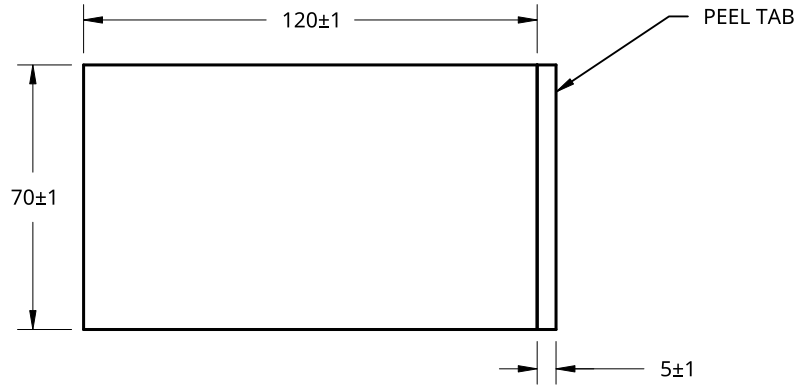


2

1

Notch Filter Specification

SKU	Notch Centre (nm)	Optical Density
1000122	447	2+
1000184	457	4+
1000126	532	4+
1000130	635	4+



0.1±0.05

NOTES:

- Decal includes an OCA (optically clear adhesive) backing for adhesion to desired substrate
- Strip has protective cover liner on front side. Remove cover liner before use.
- Thickness does not include protective cover liner or adhesive cover liner
- Clear aperture: 114 mm X 64 mm. Mechanical imperfections possible within 3mm of edges.

REVISIONS

Rev.	Revision description	Date approved	Approver
001	Initial release	11/09/2020	AM
002	Added SKUs, updated ODs	12/16/2021	LK

FOR INFORMATION ONLY - NOT FOR MANUFACTURE

		REV. 002	META TM		
		REV.			
		NAME	DATE	UNLESS OTHERWISE SPECIFIED ALL DIMENSIONS IN MM	
DRAWN	DD	10/26/2020	TITLE FLEXIBLE HOLOGRAPHIC NOTCH FILTER DECAL		
CHECKED	LK	12/16/2021	SIZE A		
APPROVED	AM	12/16/2021	DWG NO. DRW-00353		REV. 002
MATERIAL		THIRD ANGLE PROJECTION		SCALE 1:2	WEIGHT SHEET 1 of 1

2

1