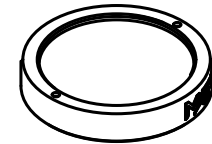
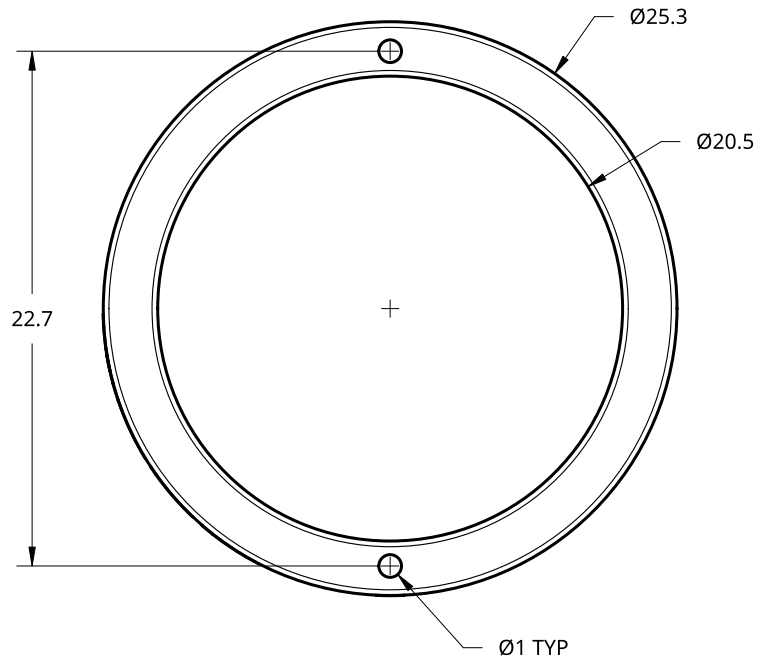


2

1

REVISIONS

Rev.	Revision description	Date approved	Approver
001	Initial release	07/30/2021	AM
002	Added SKUs, updated ODs	12/07/2021	AM



SCALE 1:1



Notch Filter Specification

SKU	Notch Centre (nm)	Optical Density
1000158	445	2+
1000188	457	4+
1000159	532	4+
1000160	635	4+


SURFACES

SHAPE	PLANO
TYPE	SCHOTT N-BK7 GLASS
SURFACE QUALITY	60-40
COATING	BBAR, R<0.5% @425-675NM, 0° AOI
PARALLELISM	SURFACES PARALLEL TO < 3 ARCMIN

NOTES:

- GENERAL TOLERANCE +/- 0.1MM
- MOUNTING AND RETAINING RING ARE BLACK ANODIZED ALUMINUM
- CLEAR APERTURE: 20 MM

FOR INFORMATION ONLY - NOT FOR MANUFACTURE

NAME		DATE			
DRAWN	DD	07/13/2021	UNLESS OTHERWISE SPECIFIED ALL DIMENSIONS IN MM		
CHECKED	LK	07/30/2021	TITLE Ø1" MOUNTED NOTCH FILTER		
APPROVED	AM	12/07/2021	SIZE A	DWG NO. DRW-00596	REV. 002
MATERIAL		THIRD ANGLE PROJECTION	SCALE 3:1	WEIGHT	SHEET 1 of 1

2

1