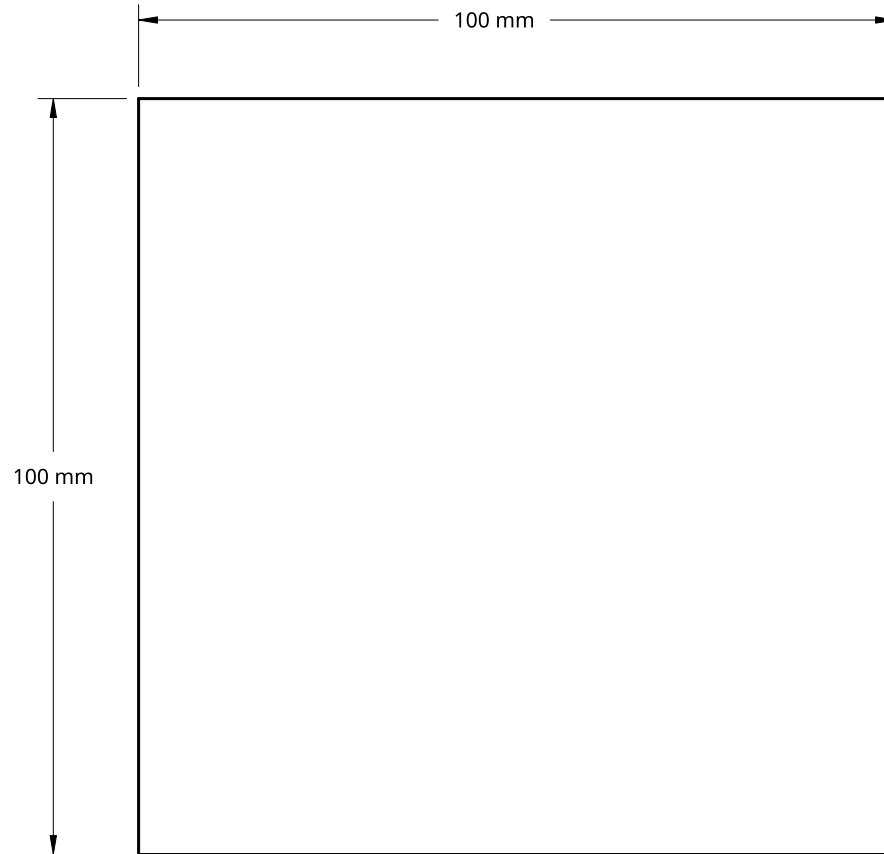


2

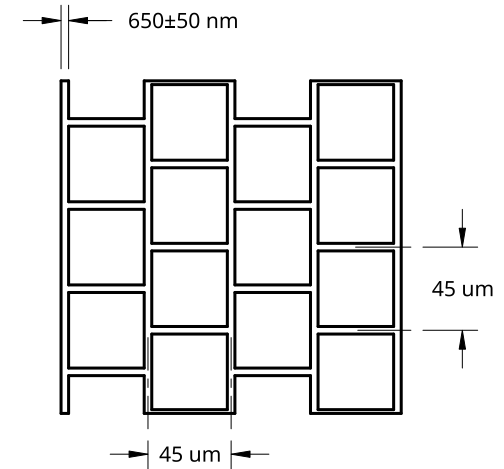
1



SAMPLE GEOMETRY

REVISIONS

Rev.	Revision description	Date approved	Approver
001	Initial release	03/15/2022	AM

NANOWEB PATTERN
NOT TO SCALE

NANOWEB Layers

Material	Thickness (nominal)
Ag	400 nm
Ti	15 nm
PET (substrate)	76 μm

NOTES:

1. SHEET RESISTANCE (R_s): $3.5 \pm 0.5 \Omega/\text{sq}$
2. METAL THICKNESS RANGE (Ti + Ag): 400-440 nm
3. VISIBLE LIGHT TRANSMISSION : >86.4%
4. HAZE: <4.9%
5. PIECE IS PACKAGED BETWEEN RIGID ACRYLIC BACKING PLATE (PET SIDE) AND PROTECTIVE FILM (METAL SIDE). PEEL FILM BEFORE USE.

FOR INFORMATION ONLY - NOT FOR MANUFACTURE

P/N	PRT-00790	REV.	001	META™	
PRODUCTION NO.	4000037	REV.			
NAME		DATE		PROJECT	2020-011
DRAWN	BM	02/23/2022		TITLE	NANOWEB® PP45 SQUARE 100X100MM, 45μ PITCH ON PET
CHECKED				SIZE	A
APPROVED	AM	03/15/2022		DWG NO.	DRW-00792
MATERIAL	SEE TABLE	THIRD ANGLE PROJECTION		SCALE	1:1
				WEIGHT	
				SHEET	1 of 1
				REV.	001

2

1