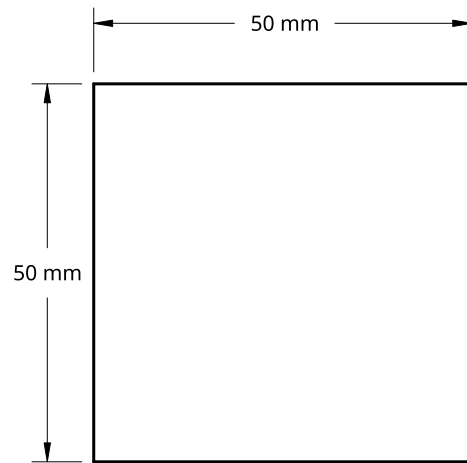


2

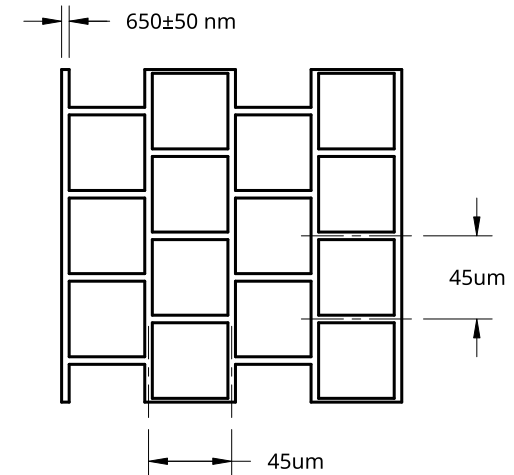
1

## REVISIONS

Rev.	Revision description	Date approved	Approver
001	Initial release	03/15/2022	AM



SAMPLE GEOMETRY

NANOWEB PATTERN  
NOT TO SCALE

## NANOWEB Layers

Material	Thickness (nominal)
Ag	400 nm
Ti	15 nm
PET (substrate)	76 µm

## NOTES:

1. SHEET RESISTANCE (Rs):  $3.5 \pm 0.5 \Omega/\text{sq}$
2. METAL THICKNESS RANGE (Ti + Ag): 400-440 nm
3. VISIBLE LIGHT TRANSMISSION : >86.4%
4. HAZE: <4.9%
5. PIECE IS PACKAGED BETWEEN RIGID ACRYLIC BACKING PLATE (PET SIDE) AND PROTECTIVE FILM (METAL SIDE). PEEL FILM BEFORE USE.

## FOR INFORMATION ONLY - NOT FOR MANUFACTURE

P/N	PRT-00789	REV.	001	<b>META</b> <sup>TM</sup> <small>R001</small>	
PRODUCTION NO.	4000036	REV.			
NAME		DATE		PROJECT	2020-011
DRAWN	BM	02/24/2022		TITLE	NANOWEB® PP45 SQUARE 50X50MM, 45µ PITCH ON PET
CHECKED				SIZE	A
APPROVED	AM	03/15/2022		DWG NO.	DRW-00793
MATERIAL	SEE TABLE	THIRD ANGLE PROJECTION		REV.	001
SCALE	1:1	WEIGHT		SHEET	1 of 1

2

1