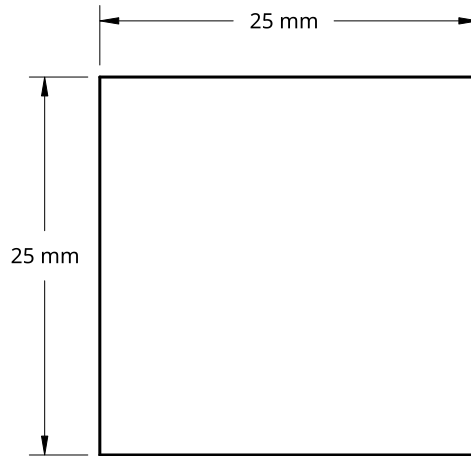


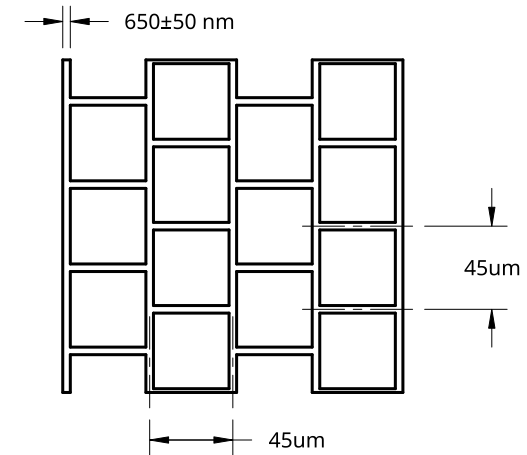
2

1

REVISIONS			
Rev.	Revision description	Date approved	Approver
001	Initial release	03/15/2022	AM



SAMPLE GEOMETRY

NANOWEB PATTERN
NOT TO SCALE

NANOWEB Layers	
Material	Thickness (nominal)
Ag	400 nm
Ti	15 nm
PET (substrate)	76 µm

FOR INFORMATION ONLY - NOT FOR MANUFACTURE

P/N	PRT-00788	REV.	001	META TM	
PRODUCTION NO.	4000035	REV.			
DRAWN	BM	DATE	02/24/2022	TITLE	NANOWEB® PP45 SQUARE
CHECKED					25X25MM, 45µ PITCH ON PET
APPROVED	AM	DATE	03/15/2022	SIZE	A
MATERIAL	SEE TABLE	THIRD ANGLE PROJECTION		DWG NO.	DRW-00794
				SCALE	2:1
				WEIGHT	
				SHEET	1 of 1
				REV.	001

NOTES:

- SHEET RESISTANCE (Rs): 3.5±0.5 Ω/sq
- METAL THICKNESS RANGE (Ti + Ag): 400-440 nm
- VISIBLE LIGHT TRANSMISSION : >86.4%
- HAZE: <4.9%
- PIECE IS PACKAGED BETWEEN RIGID ACRYLIC BACKING PLATE (PET SIDE) AND PROTECTIVE FILM (METAL SIDE). PEEL FILM BEFORE USE.

2

1